













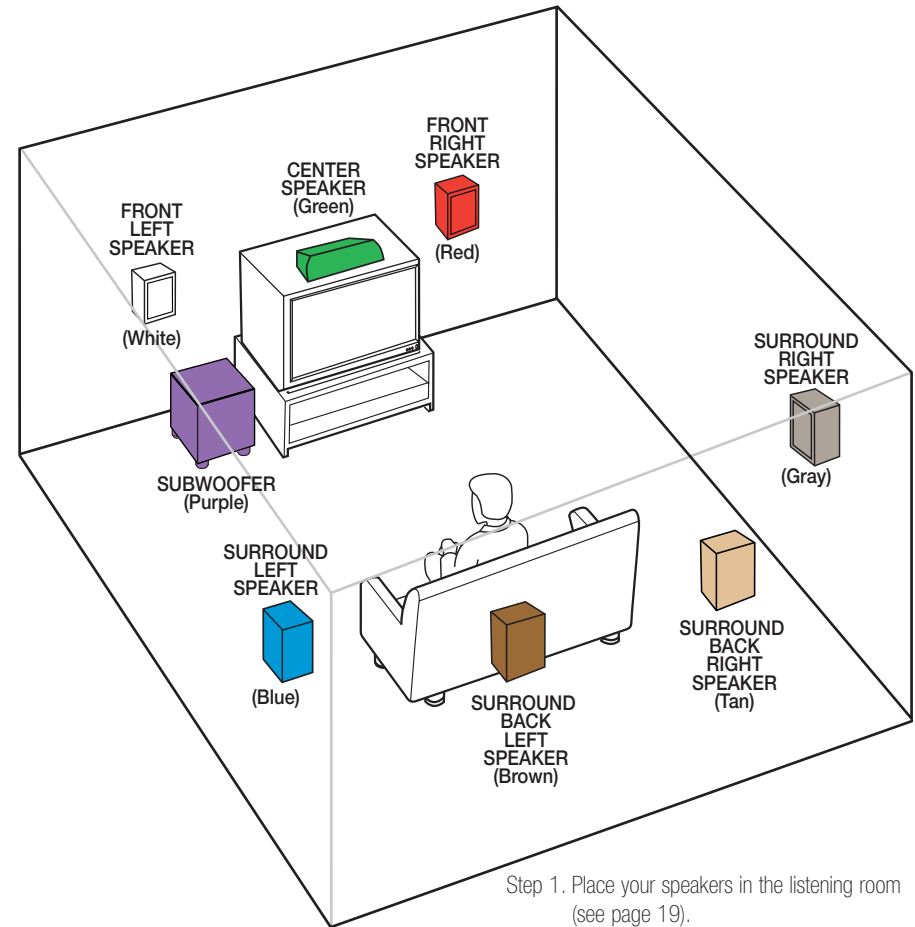
Thank you for purchasing a Harman Kardon DPR 2005. This Quick-Start Guide will help you with a basic system installation. For detailed information on any step, please refer to the Owner's Manual pages referenced in this guide. We strongly recommend that you read the Owner's Manual for complete details on how to install, configure and operate the DPR 2005, as well as for the important safety information it contains.

Figure 1 – Speaker Placement

The colors shown for each speaker correspond to the matching output terminal connection on the back of the DPR 2005 (see page 8).

Connection Color Guide		
Audio Connections	Left	Right
Front		
Center		
Surround		
Subwoofer		
Surround Back		
Digital Audio Connections		
Coaxial		
Optical		
Video Connections		
Composite		
S-Video		

Match the colored jacks on the DPR 2005 to the appropriate jacks on your source equipment or speakers. The colors are standardized, but not all equipment or connectors use them.



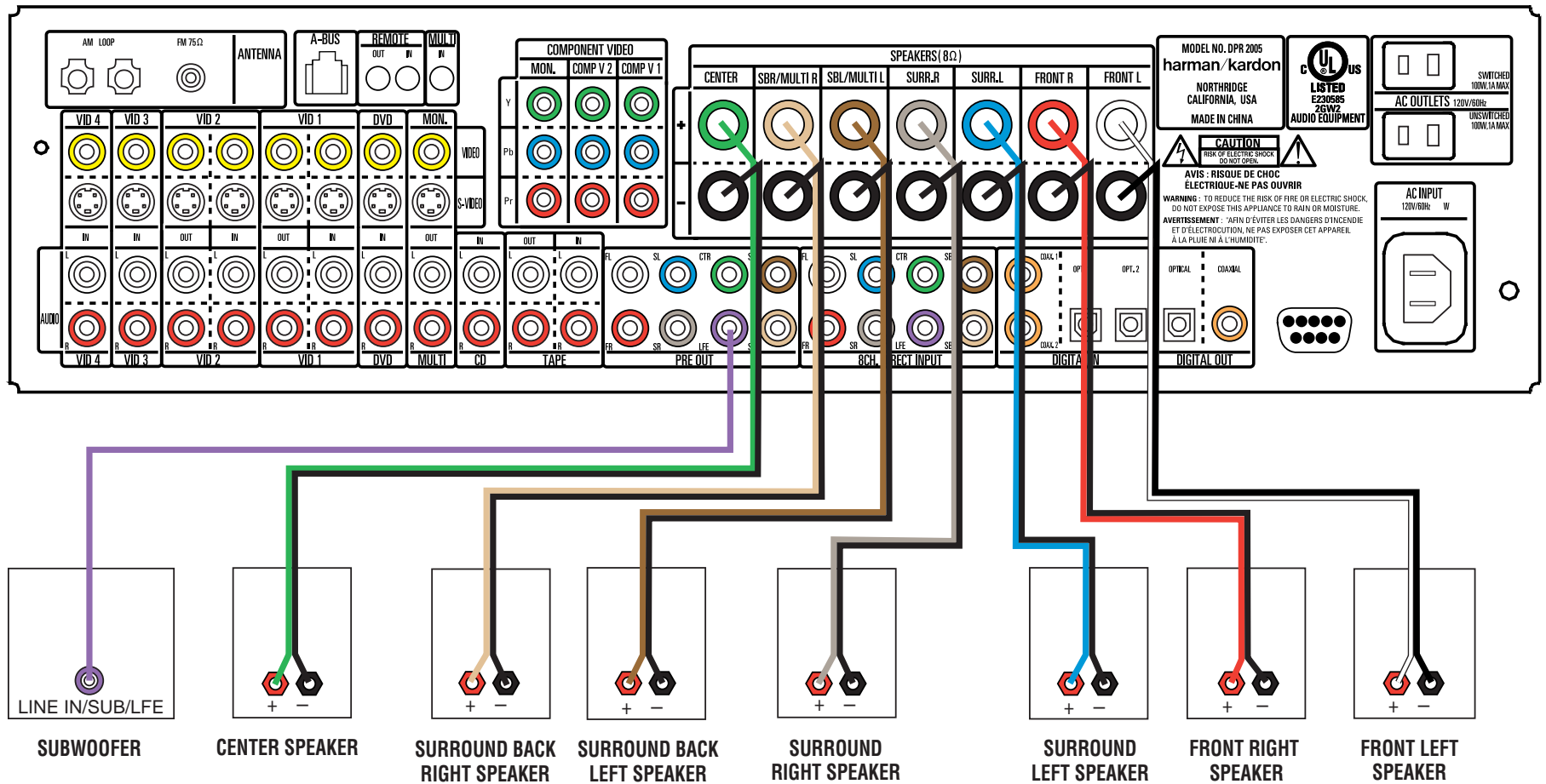


Figure 2 – Speaker Connections

- Step 2. Connect the speakers to the receiver: red (+) on speaker to colored (+) on receiver and black (-) to black (-) (see page 16).
- Step 3. Connect the Subwoofer Pre-Out jack to the Line-In jack on your subwoofer. You may adjust the settings on the subwoofer later as needed (see page 16).

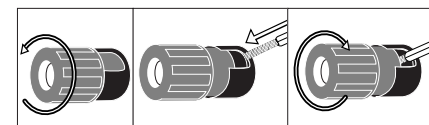


Figure 3 – How to Use the Binding-Post Speaker Terminal

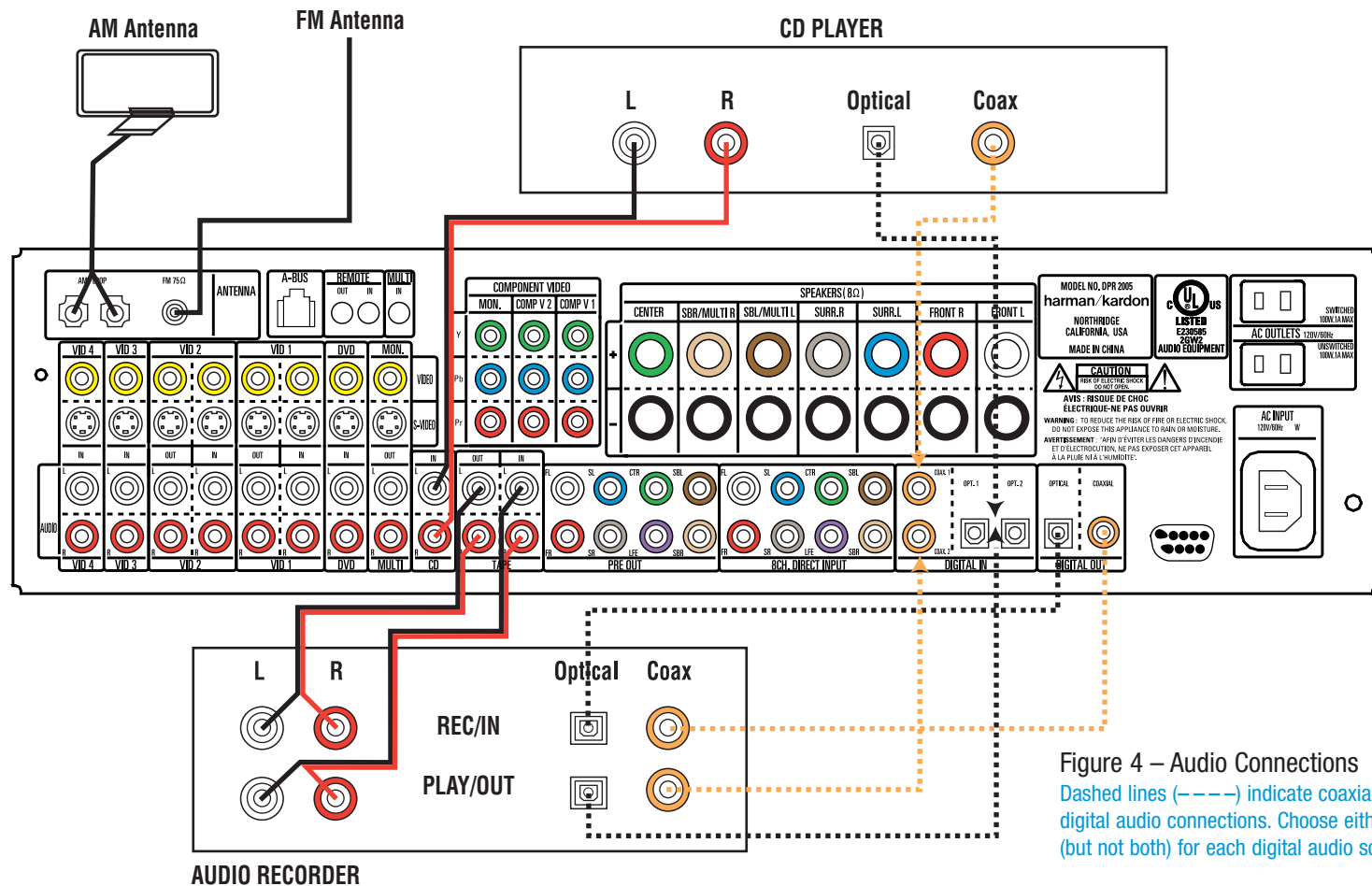


Figure 4 – Audio Connections

Dashed lines (----) indicate coaxial and optical digital audio connections. Choose either type (but not both) for each digital audio source.

Step 4. Connect AM and FM antennas (Fig. 4) (see page 16).

Step 5. Connect source components, as shown in Figures 4 and 5, and the Device Connection Options chart on the back of this guide (see pages 16–17).

AUDIO connections: Right channel (red) on source to right (red) on DPR, and left channel (white) on source to left (white) on DPR.
DIGITAL AUDIO connections, if available: Choose either coaxial (orange) to coaxial (orange) OR optical to optical for each device. The Coaxial 1 input defaults to the DVD player, and the Optical 1 input defaults to the Video 3 source; however, they may be reassigned. Assign the other digital inputs and outputs as appropriate for your equipment (see Step 7).

VIDEO connections: Choose component (Y/Pb/Pr – green/blue/

red), composite (yellow) or S-Video (4-pin) for each video source. The Component Video 1 inputs default to the DVD player, but may be reassigned. Connect the component, composite and S-Video Monitor outputs to your Video Monitor (TV). Switch your TV set's input to match the type of video used for the currently selected source.

Step 6. Plug all components into AC power outlets. The outlets on the back of the DPR 2005 should be used *only* for low-current products, such as CD or DVD players, and the total should not exceed 100 watts.

Basic Receiver Configuration

Step 7. **Select digital inputs:** If your DVD is connected to Coaxial 1, no adjustment is needed. For any other digital-device connections, use the front-panel Digital Select button and the arrow buttons to select an optical or coaxial digital input (see pages 21 and 33).

Step 8. **Configure speakers:** No action is needed if you have five “small” satellite-type speakers and a subwoofer. Otherwise, press the Speaker button and then the Set and arrow buttons to select the correct speaker choices for your system (see pages 24–26).

Step 9. **Set the Output Levels with EzSet:** Set the Volume to –15dB. Sit in the listening position and hold the remote in front of you at shoulder level, pointing it at the DPR. Press the EzSet button on the remote, and then the Set button when it lights red. Following the instructions in the remote's LCD display, press the button on the remote until the display shows the number of speakers in your system and then press the Set button again. Hold the remote steady until the LCD display flashes a COMPLETE message (see page 27).

Step 10. Your system is configured – sit back and enjoy!

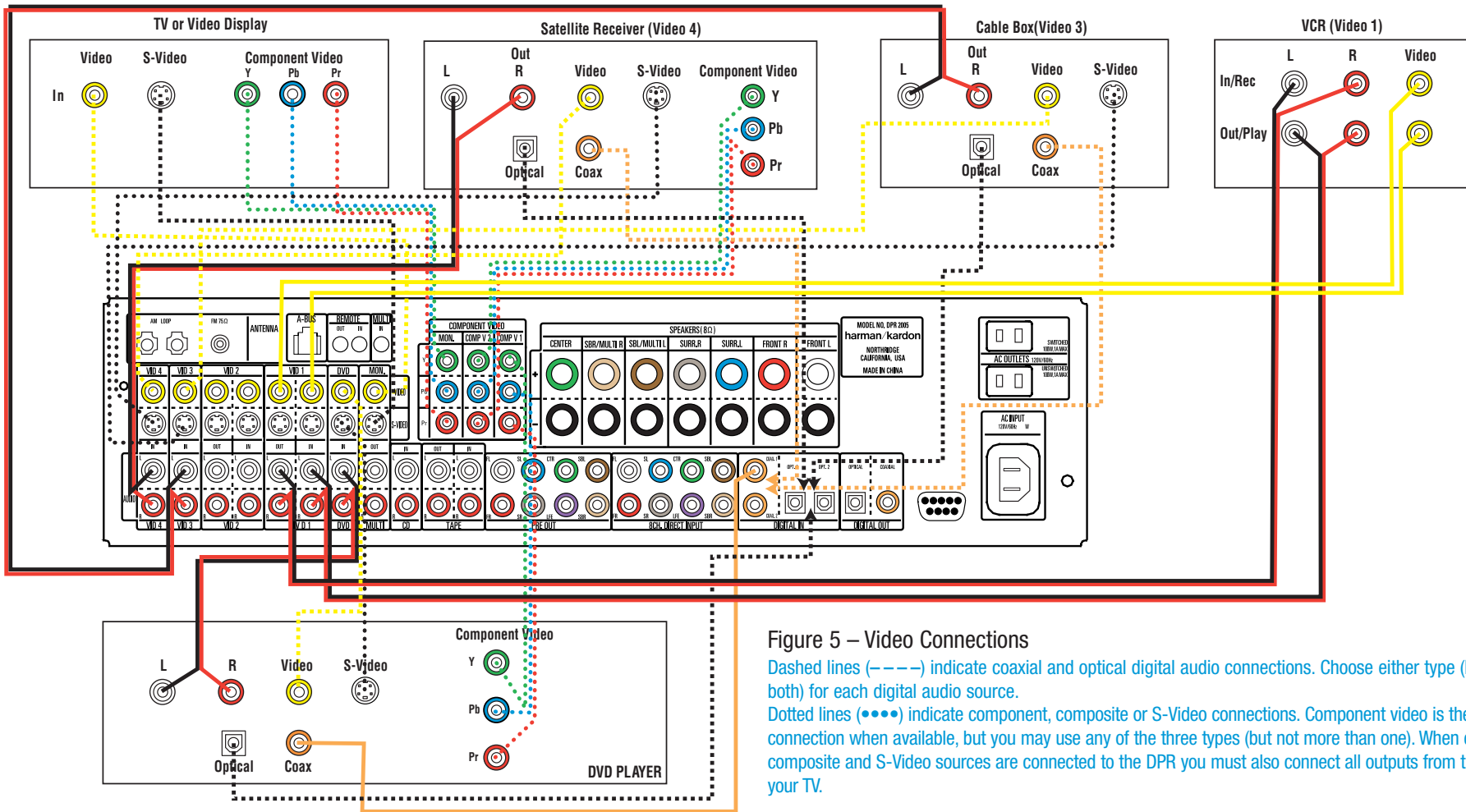


Figure 5 – Video Connections

Dashed lines (---) indicate coaxial and optical digital audio connections. Choose either type (but not both) for each digital audio source.
 Dotted lines (•••) indicate component, composite or S-Video connections. Component video is the preferred connection when available, but you may use any of the three types (but not more than one). When component, composite and S-Video sources are connected to the DPR you must also connect all outputs from the DPR to your TV.

Device Connection Options: Recommended connections are shown in red, but connections may be made to best fit your system requirements. The Video 5, Coaxial 3 and Optical 3 inputs are on the front panel of the receiver.

Device	Input Name	Audio Input Connections	Audio Output Connections	Video Connections
CD Player	CD	CD L/R Inputs, Optical Digital 1 or 2, or Coaxial Digital 1 or 2	Not required	Not required
DVD Player	DVD	Coaxial Digital 1 or 2, Optical Digital 1 or 2, or DVD L/R Inputs	Not required	Component V1, DVD Composite or S-Video
VCR	Video 1	Video 1 L/R Inputs	Video 1 L/R Outputs	Video 1 Composite or S-Video Input and Output
Cable Box	Video 3	Video 3 L/R Inputs, Optical Digital 1 or Coaxial Digital 3* Inputs	Not required	Component V2, Video 3 Composite or S-Video
Satellite Receiver	Video 4	Video 4 L/R Inputs, Optical Digital 3* or Coaxial Digital 3* Inputs	Not required	Component V2, Video 4 Composite or S-Video
Audio Recorder	Tape	Tape L/R Inputs, Optical Digital 1/2** or Coaxial Digital 1/2** Inputs	Tape L/R Outputs, Digital Optical** or Coaxial Outputs**	Not required
TV or Video Display	Not applicable	Not required	Not required	Monitor-Out Component, Composite and/or S-Video

* Check with your cable or satellite company to determine whether digital audio is available for all channels. It may be necessary to make BOTH analog and digital connections if it is not. ** Digital audio recorders only.